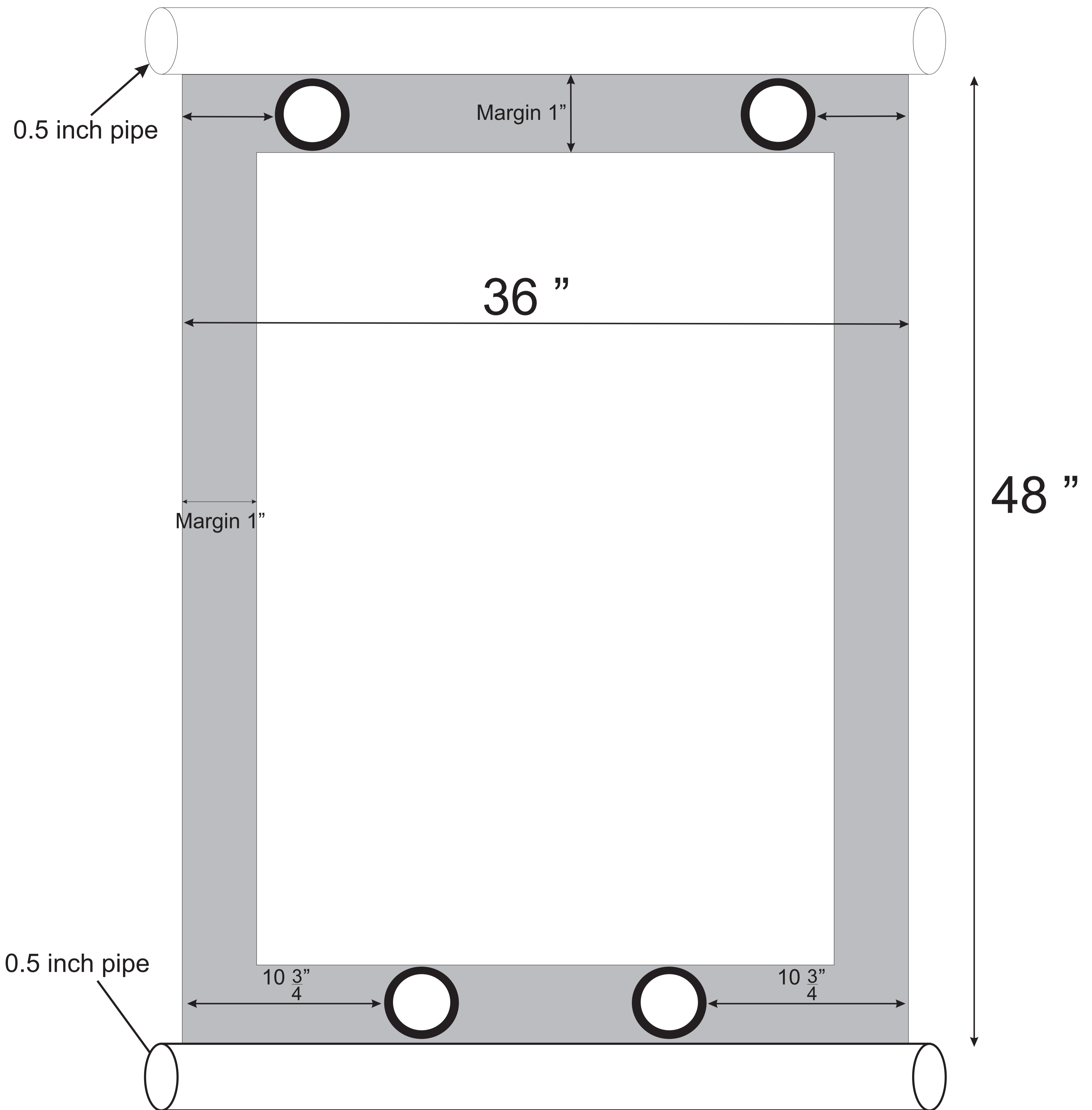


Specification for the poster



** 0.5" pipe is added for the hanging & stability of the poster. And can be added from the printing place. (There should be 1 inch hole or cavity. After printing the poster, 0.5 inch pipe should be able to insert to the cavity)